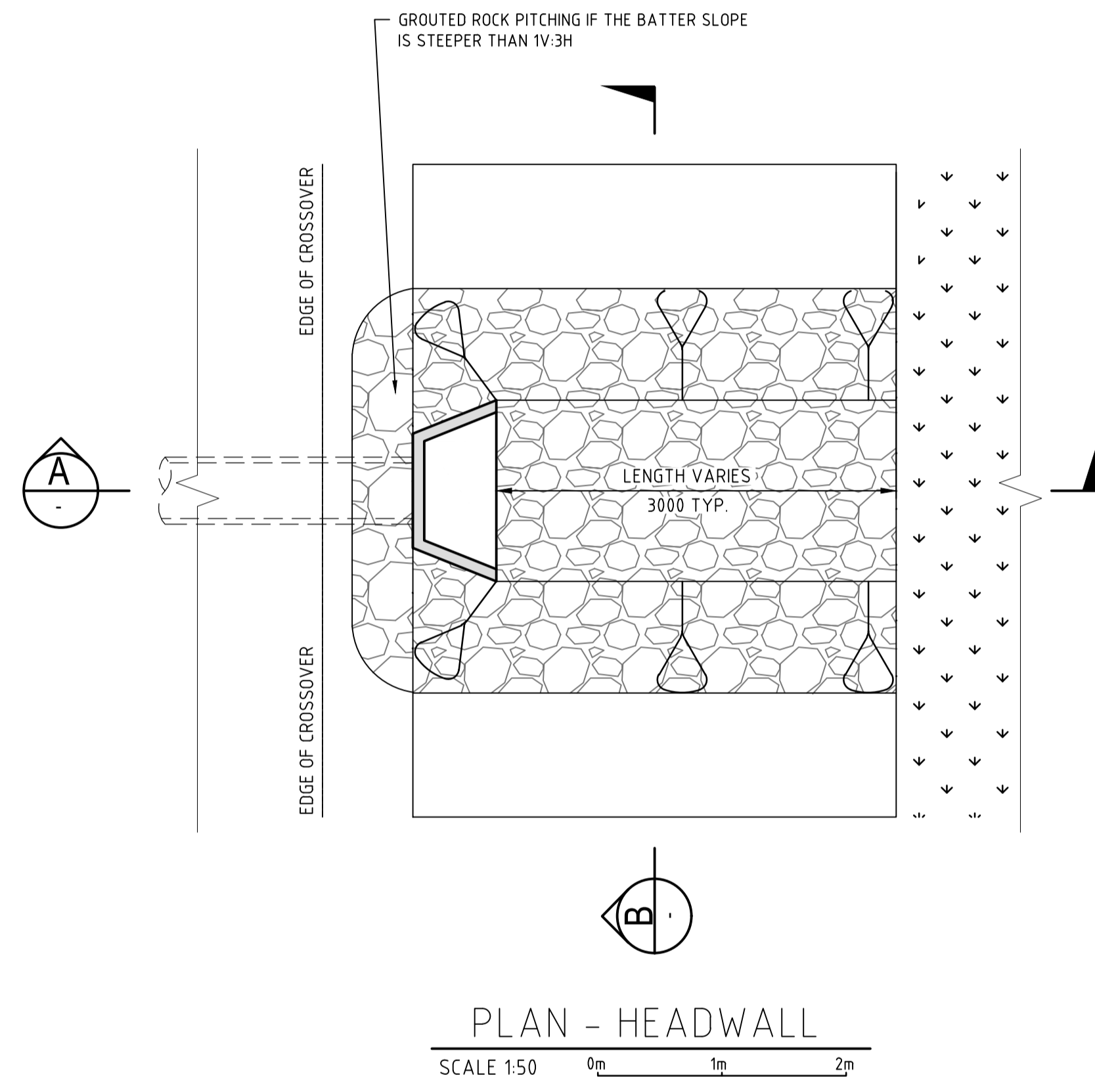
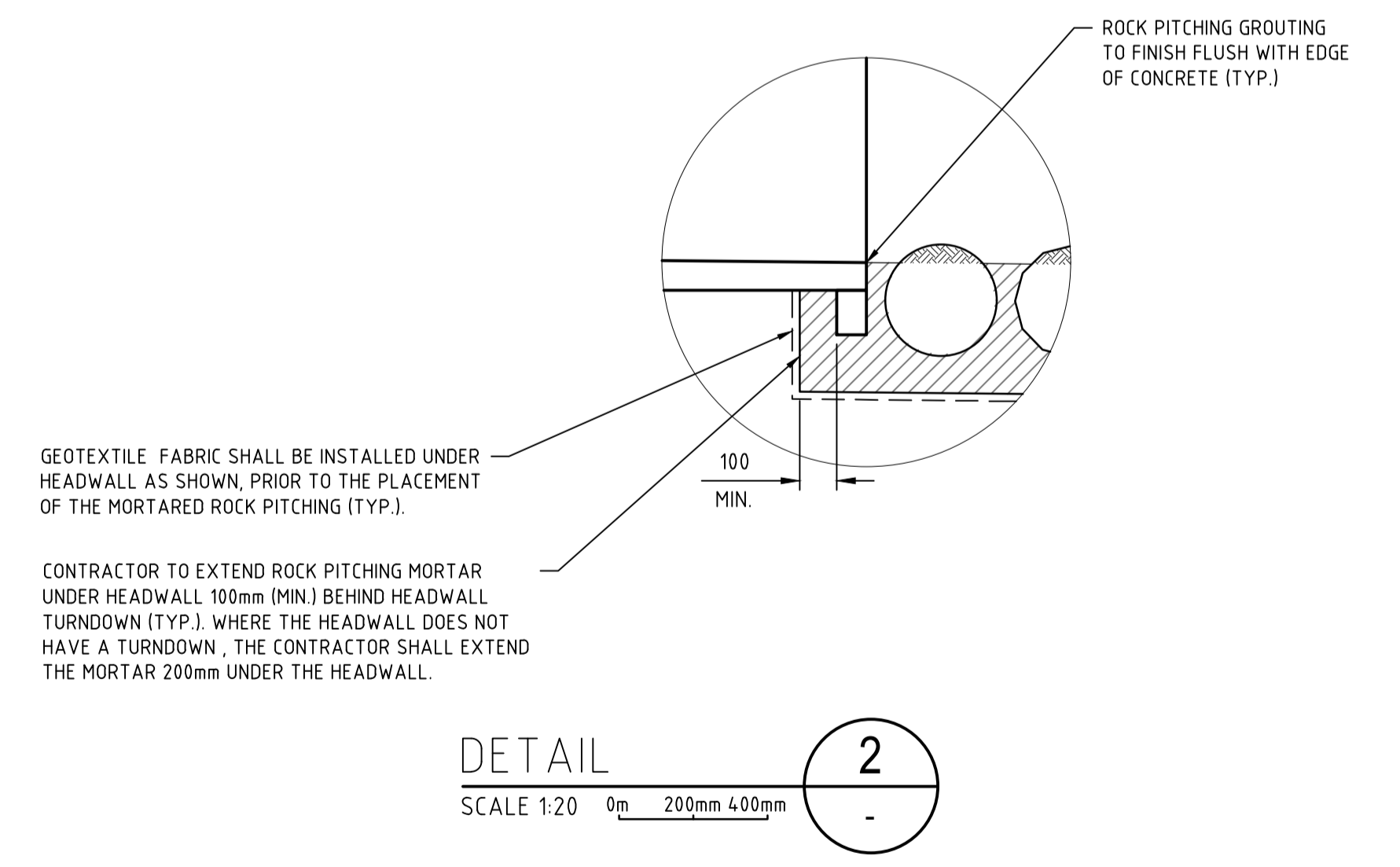
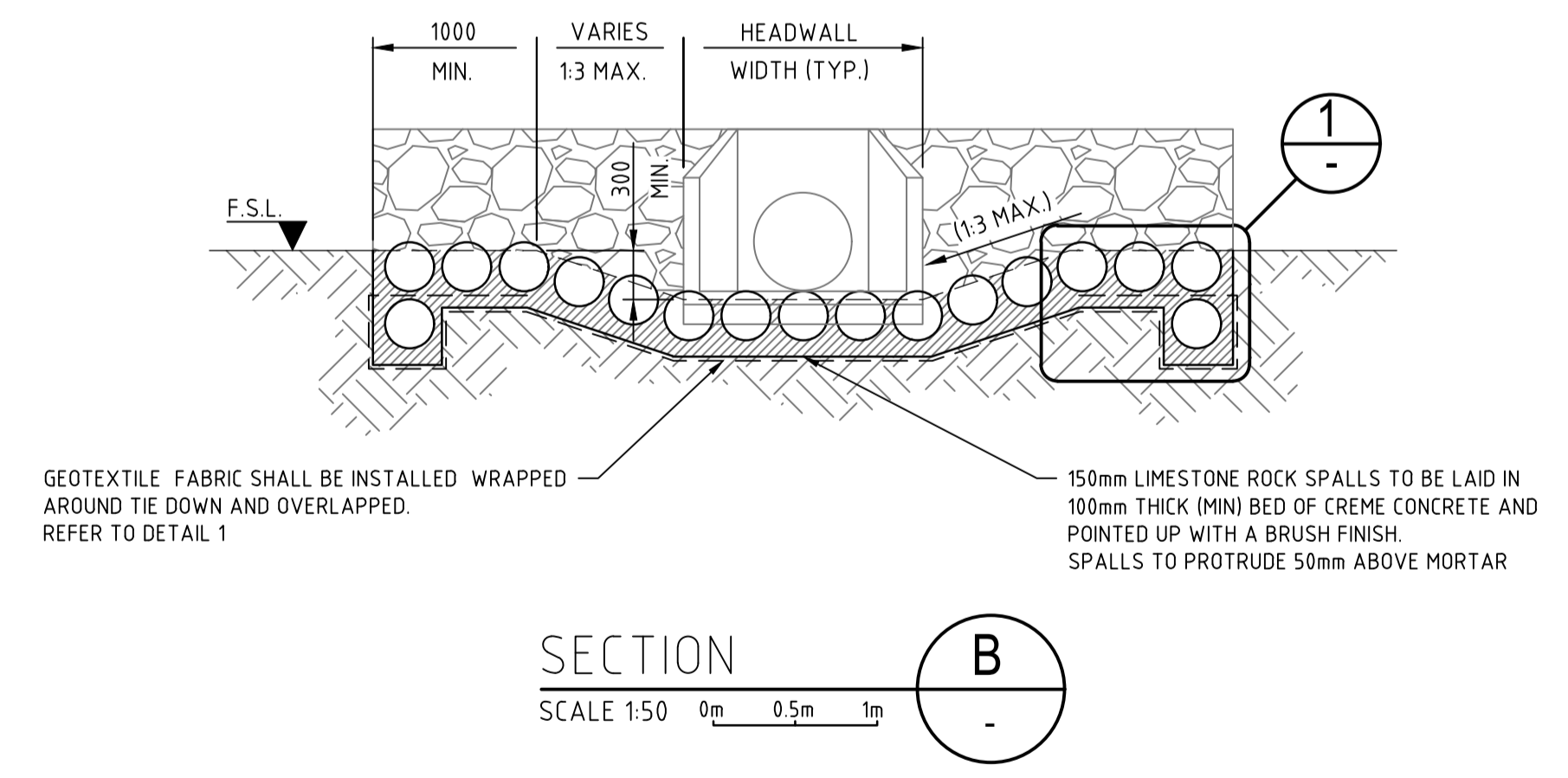
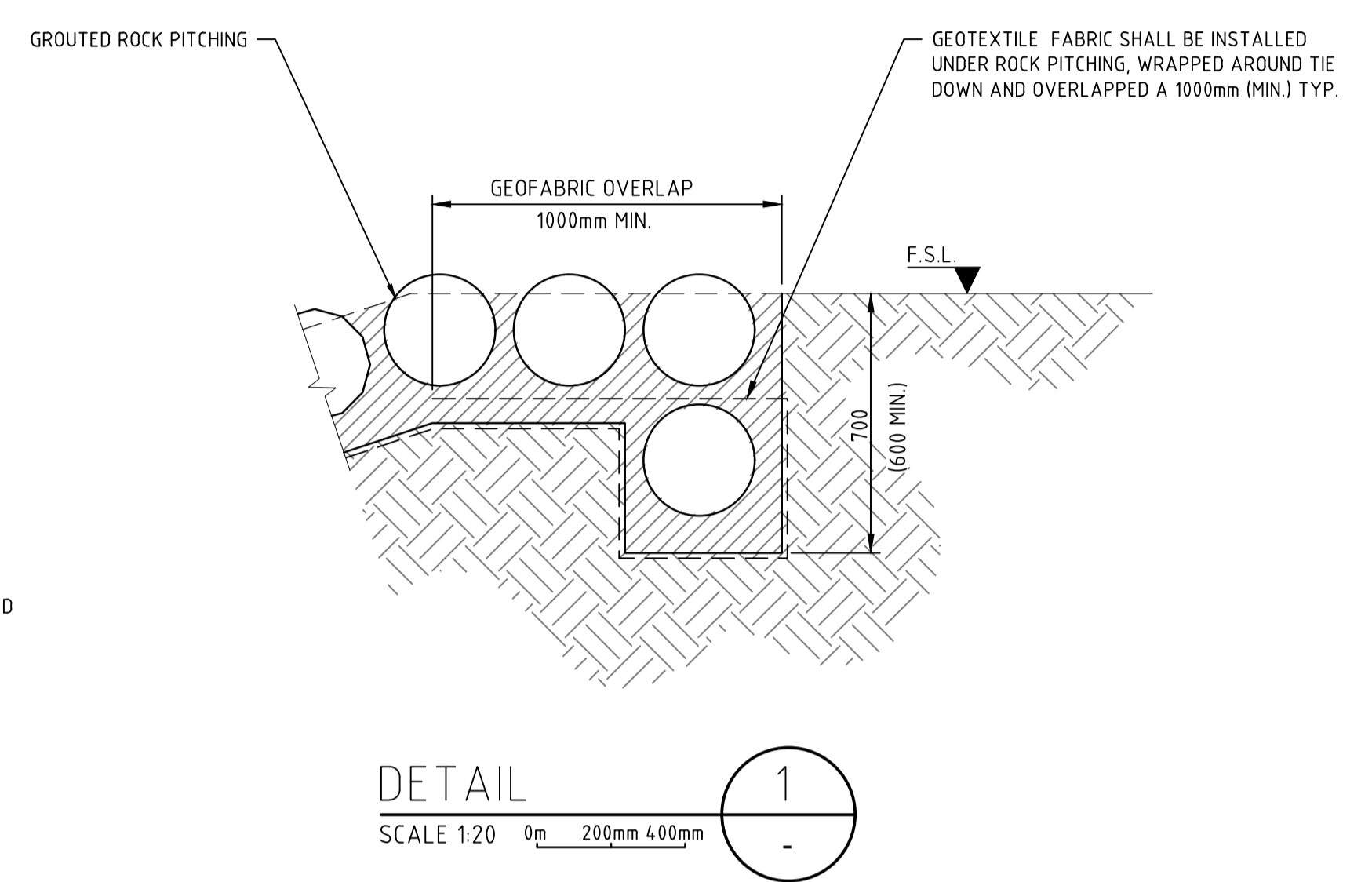
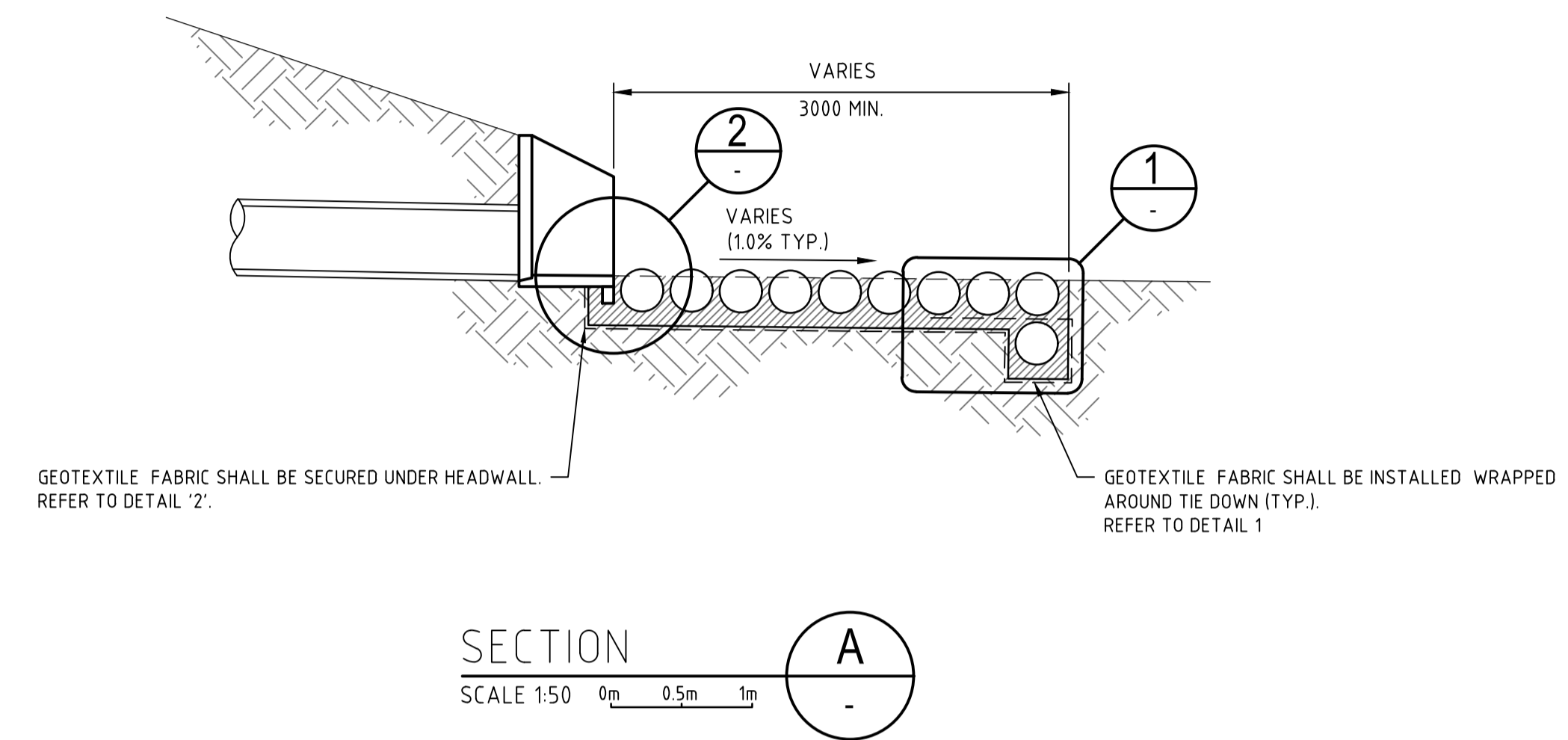


Engineering Standard Details DWG STD-D13 - STANDARD HEADWALL DETAILS.dwg



PLAN - HEADWALL  
SCALE 1:50 0m 1m 2m



Amendments		Scale		Date		By		Approved	
		AS SHOWN		N/A					
No	Date	Revision		By	Approved				
A	27/03/26	ISSUED FOR REVIEW		MJ	BC				

Shire of Serpentine Jarrardale  
Infrastructure and Design

THIS DRAWING REMAINS THE PROPERTY OF THE SHIRE OF SERPENTINE JARRARDALE AND SHALL NOT BE RETAINED, COPIED, OR USED, WITHOUT WRITTEN APPROVAL FROM THE DIRECTOR ENGINEERING SERVICES

Drawn: MJ Date: 27/03/26  
Designed: MJ Date: 27/03/26  
Checked: BC Date: 27/03/26  
Manager Engineering Services

SHIRE OF SERPENTINE JARRARDALE  
STANDARD DRAWINGS

DRAINAGE - STANDARD HEADWALL DETAILS

Sheet No:	1 OF 1
Revision No:	
DWG No:	STD-D13