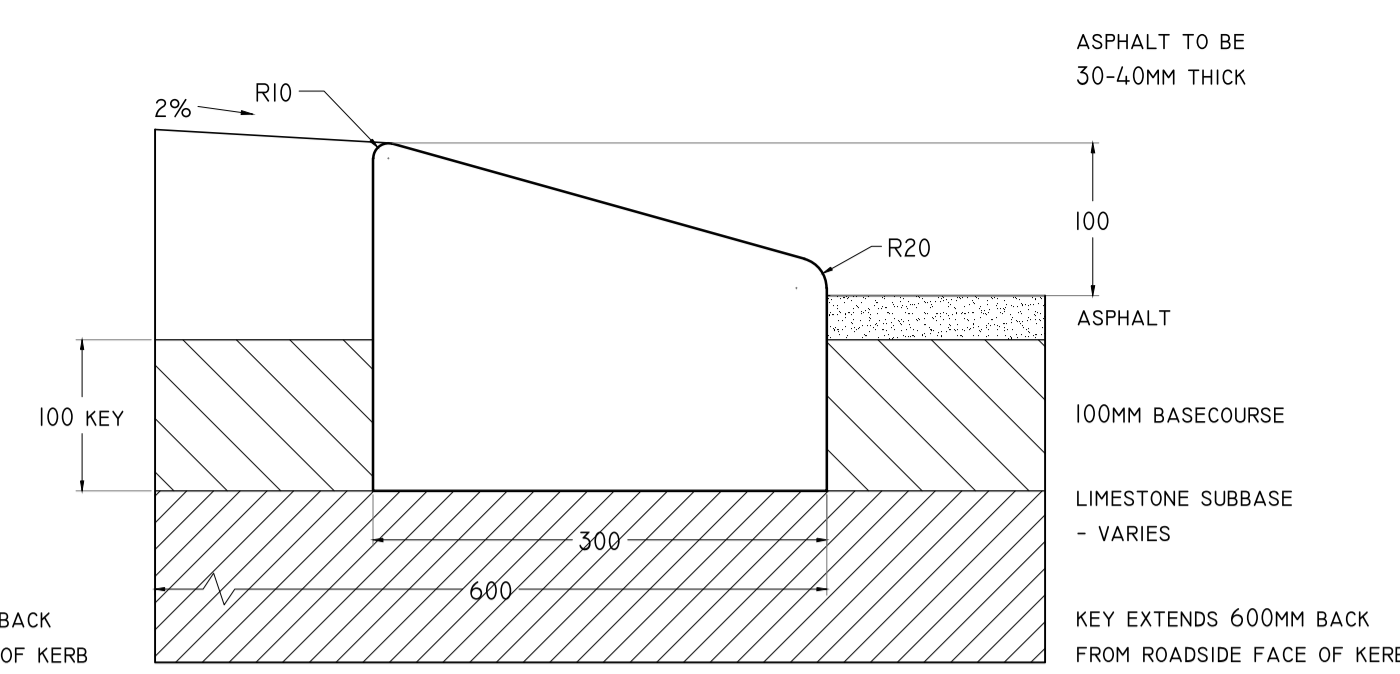


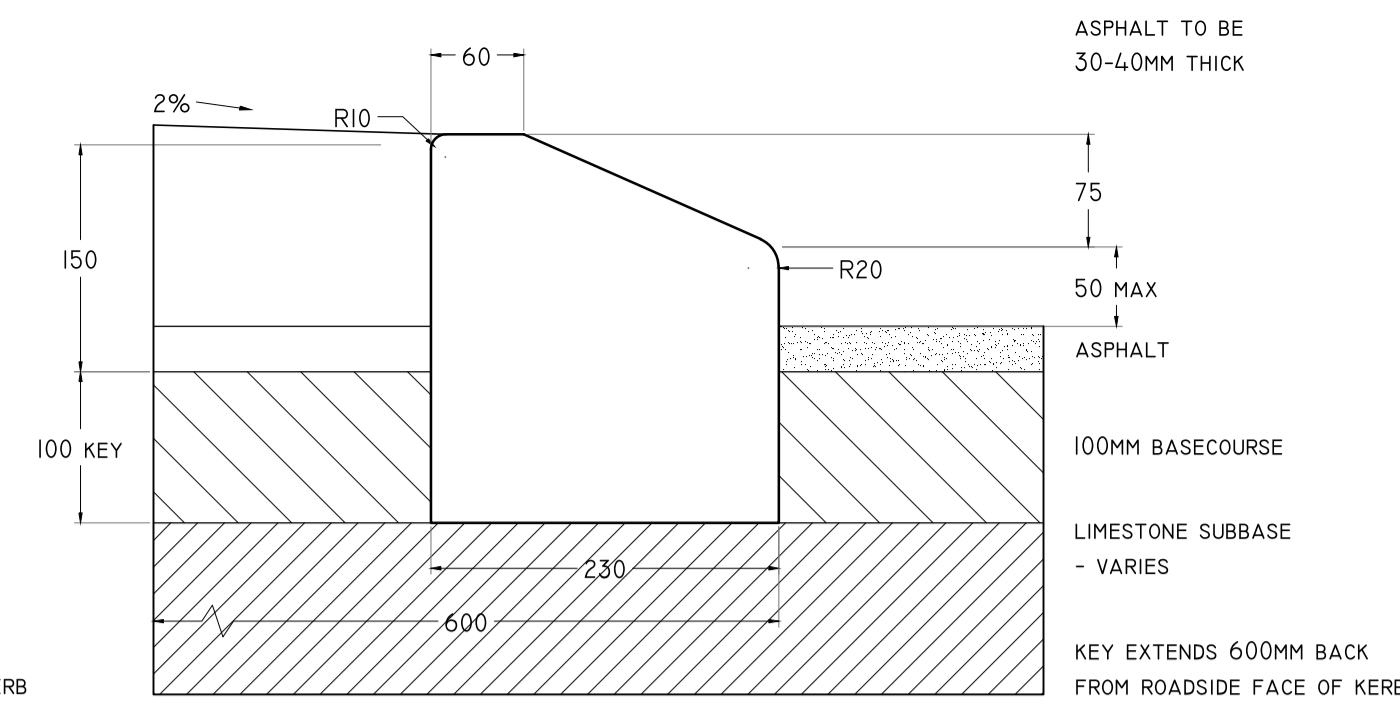
STANDARD REINFORCED FLUSH KERB

SCALE 1:5



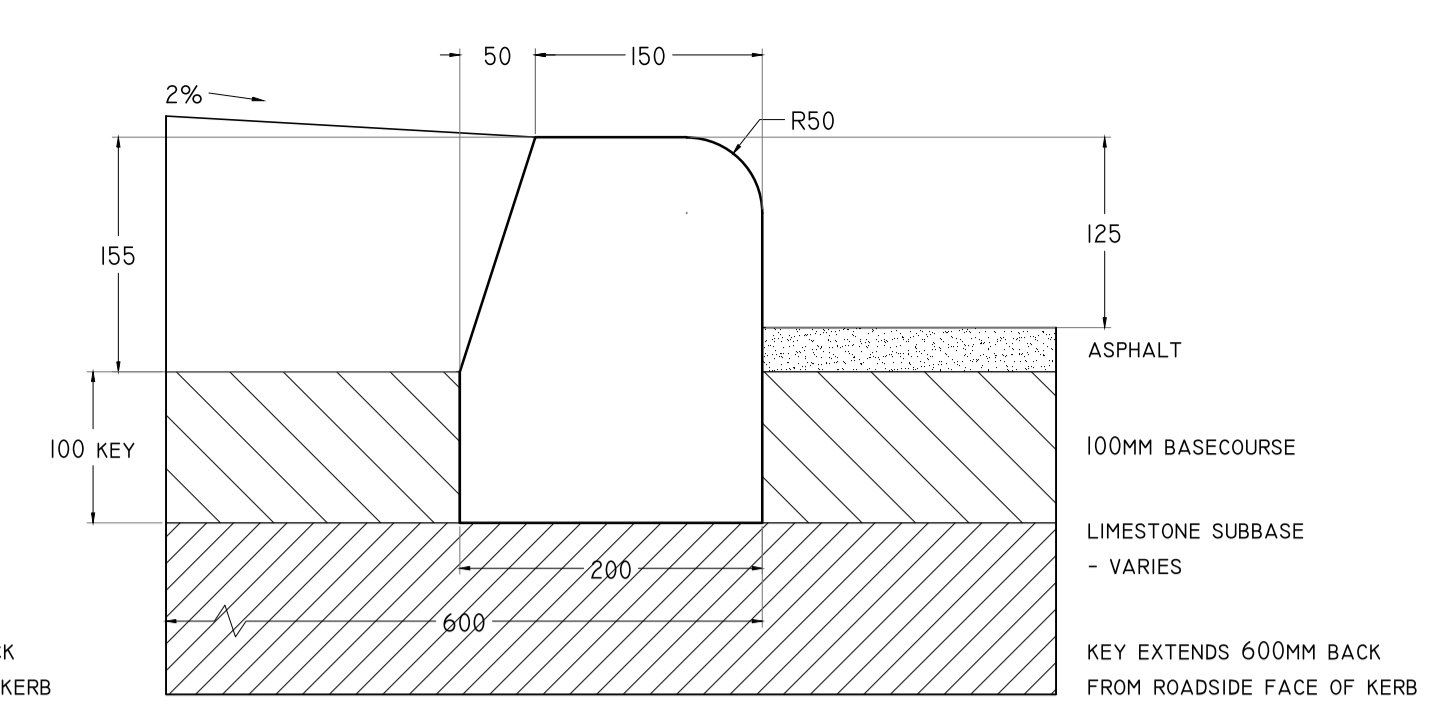
STANDARD MOUNTABLE KERB

SCALE 1:5



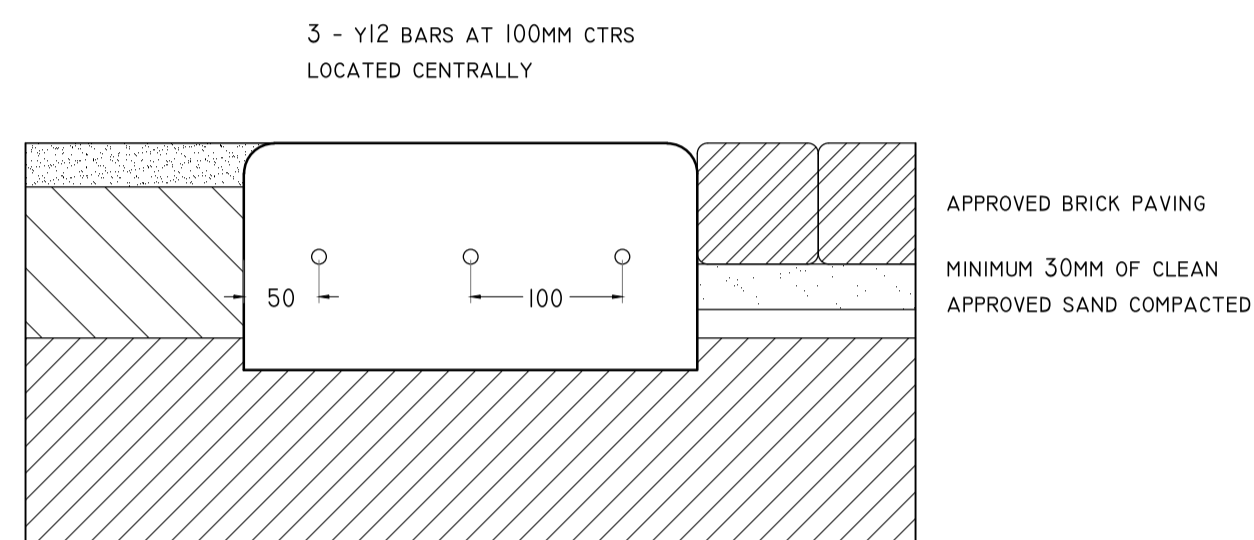
STANDARD SEMI MOUNTABLE KERB

SCALE 1:5



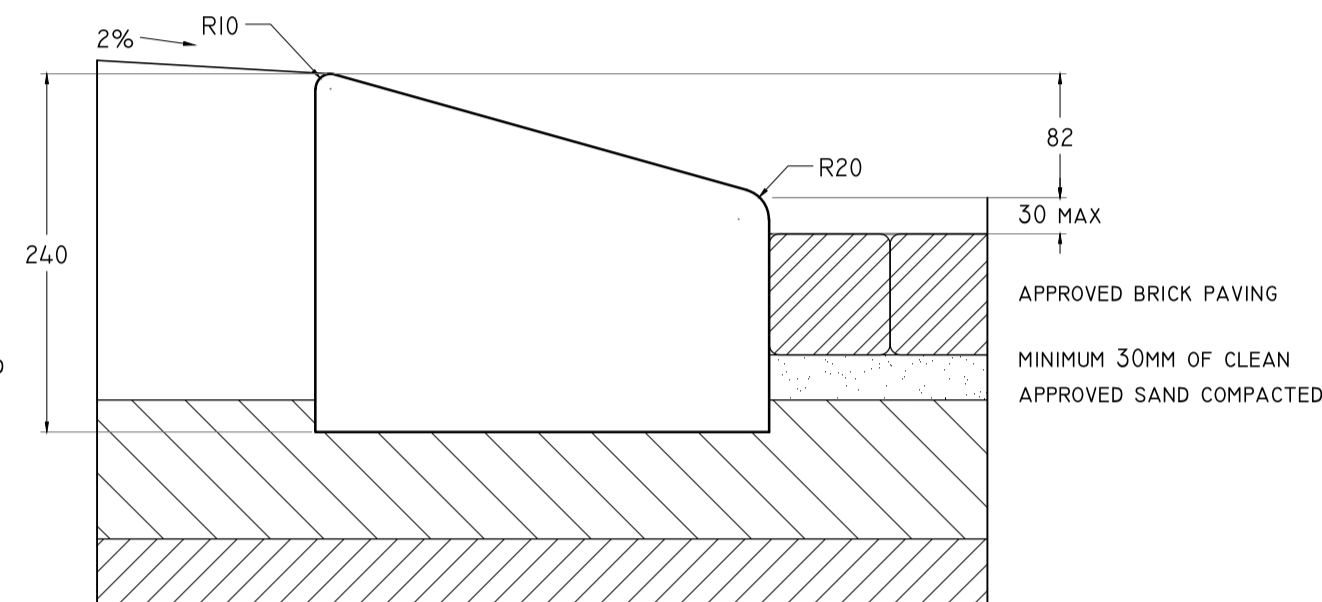
STANDARD BARRIER KERB

SCALE 1:5



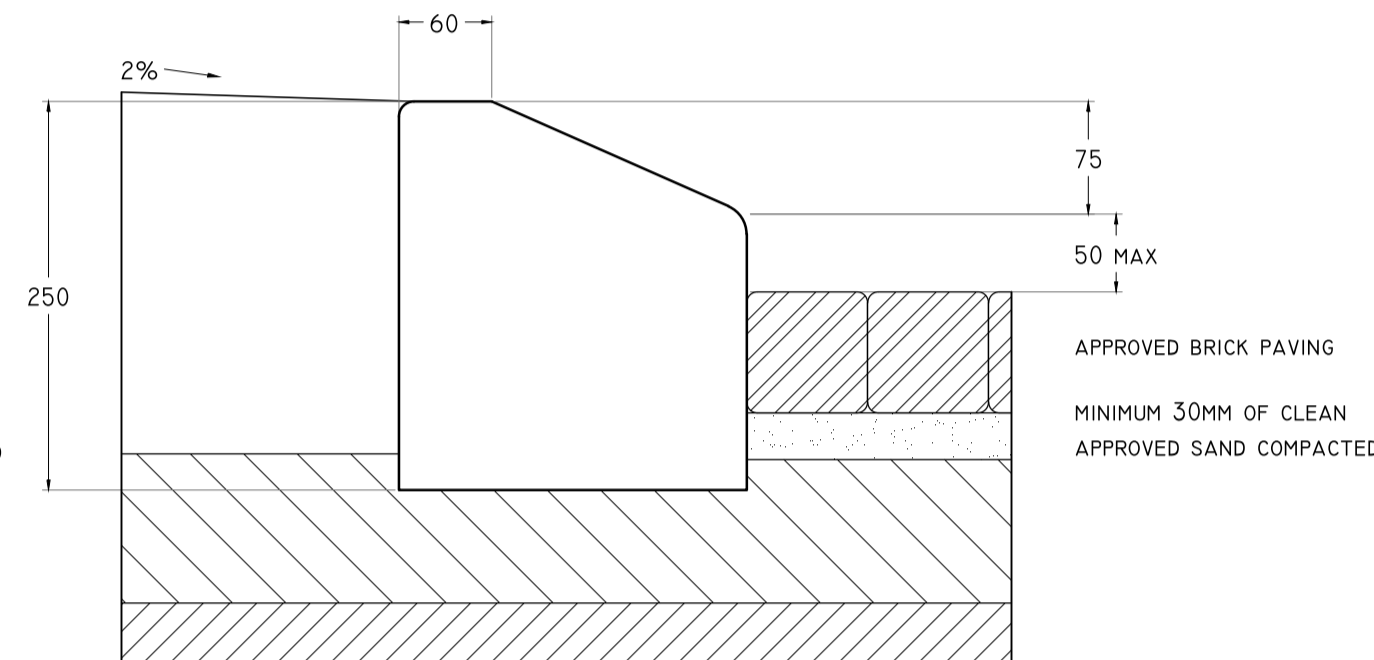
STANDARD REINFORCED FLUSH KERB FOR BRICK PAVING

SCALE 1:5



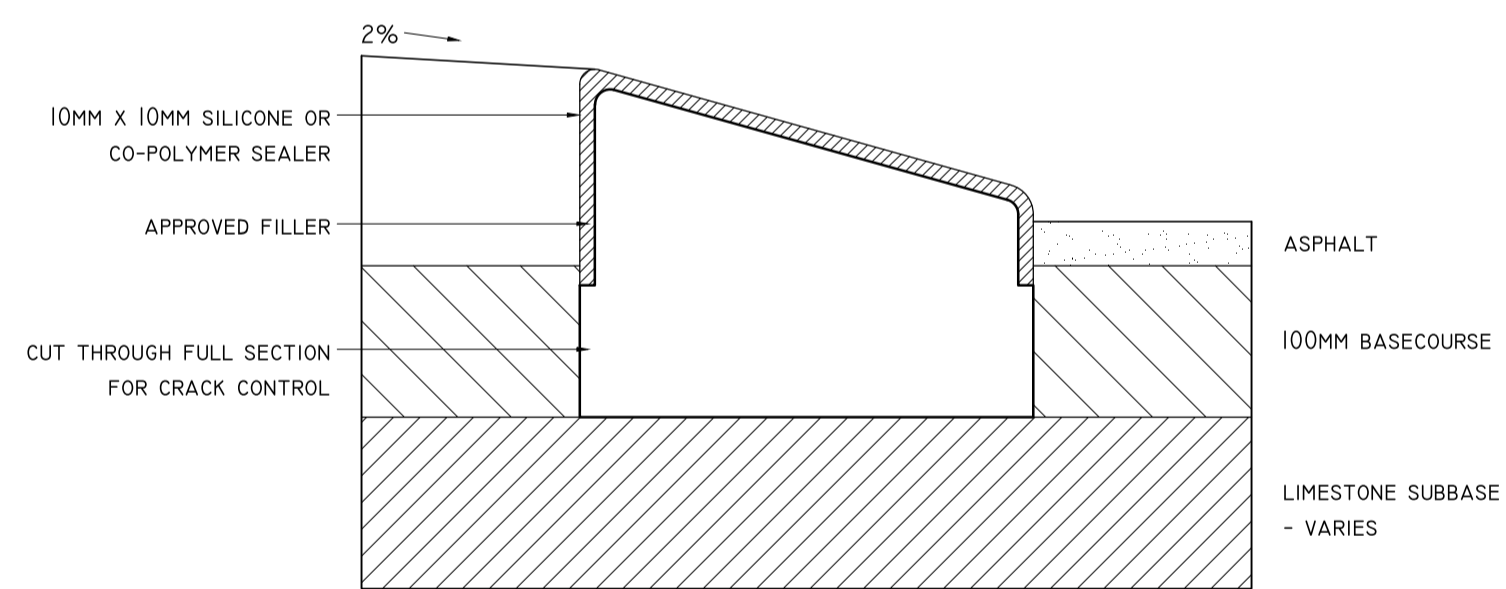
STANDARD SEMI MOUNTABLE KERB FOR BRICK PAVING

SCALE 1:5



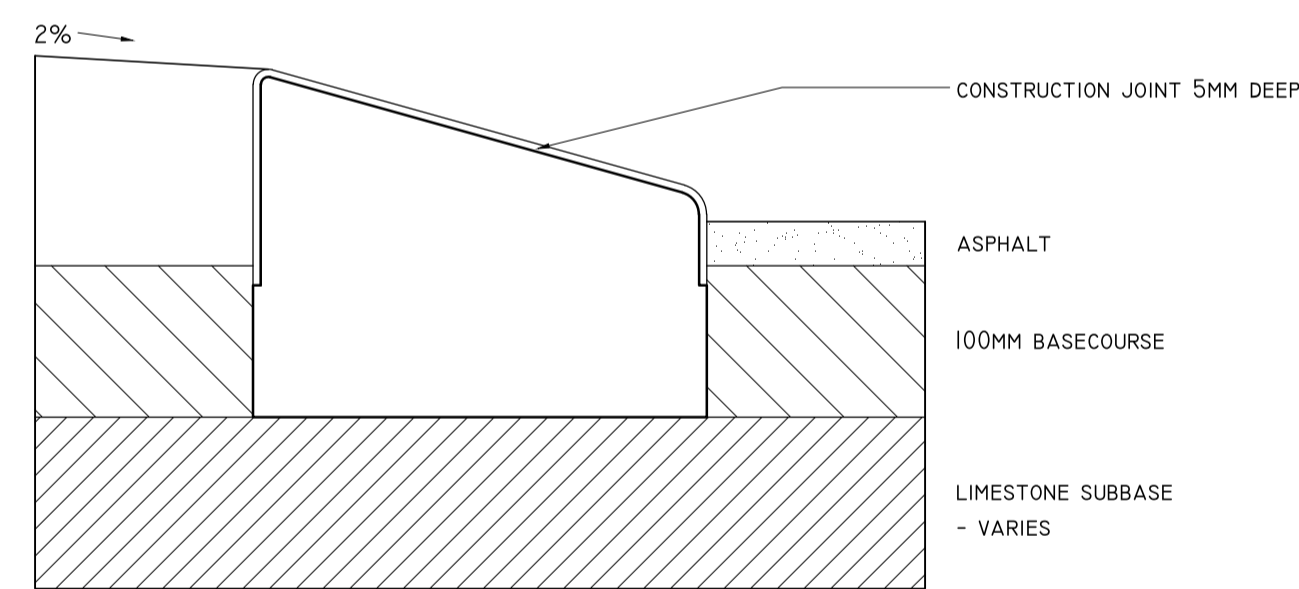
STANDARD SEMI MOUNTABLE KERB FOR BRICK PAVING

SCALE 1:5



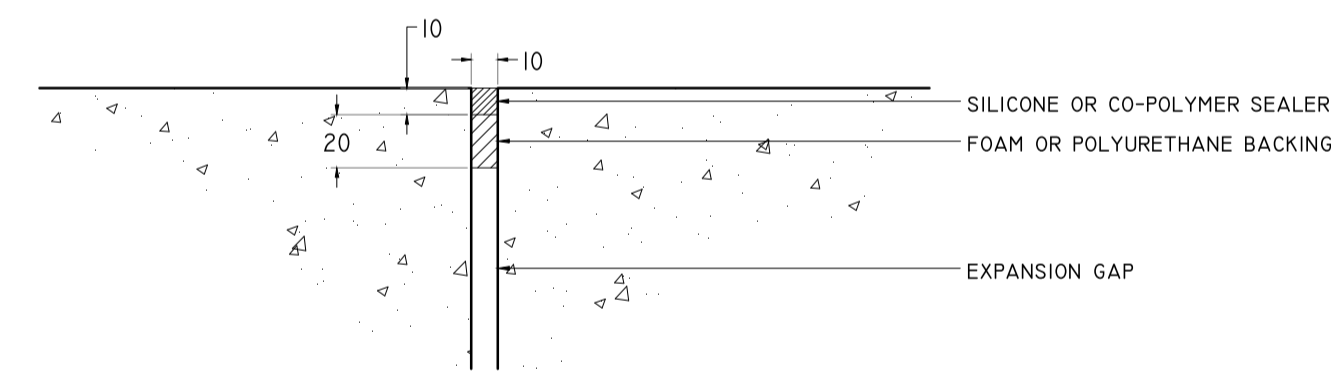
EXPANSION JOINT SECTION

SCALE 1:5



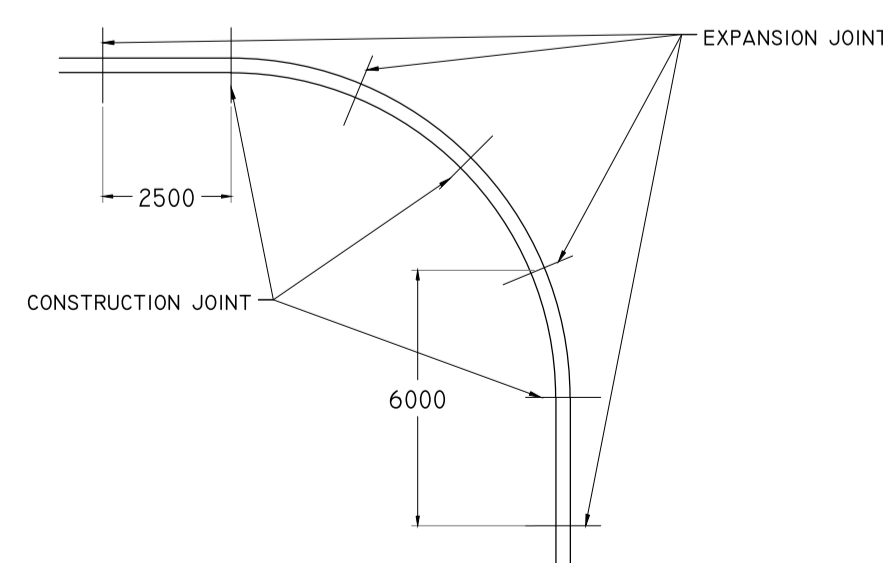
CONSTRUCTION JOINT SECTION

SCALE 1:5



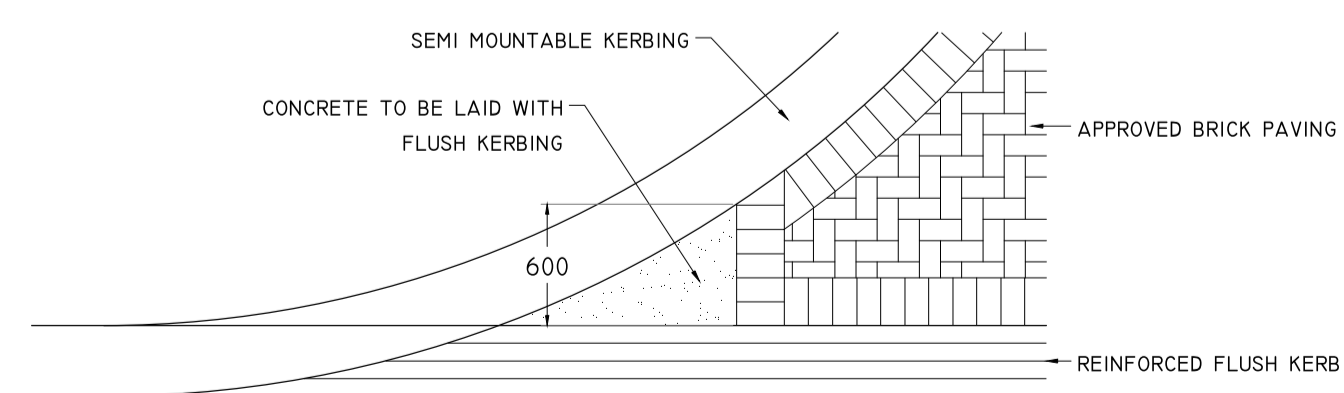
EXPANSION JOINT DETAIL

N.T.S



CONSTRUCTION AND EXPANSION JOINT LAYOUT DETAIL

N.T.S



STANDARD SEMI MOUNTABLE KERB FOR BRICK PAVING

N.T.S

1. ALL KERBS ARE TO BE FULLY KEYED
2. ASPHALT THICKNESS - 30 TO 40MM, ADJUST KERB HEIGHT ACCORDINGLY
3. FOOTPATH JOINTS TO COINCIDE WITH KERB JOINTS
4. CONCRETE KERBING SHALL CONTAIN FIBRE MESH (0.9KG/M3) AND SHALL BE 32MPA STRENGTH
5. BACKFILL BEHIND KERB COMPACTED TO 92% MDD
6. KERBING AND JOINTING TO BE INSTALLED PRIOR TO LAYING BRICK PAVING
7. CONSTRUCTION JOINTS TO BE 5MM WIDE, CUT EVERY 2.5M AND FINISHED WITH A GROOVE TOOL
8. EXPANSION JOINTS TO BE 10MM WIDE, CUT THROUGH FULL DEPTH OF KERB EVERY 5M, AT TANGENT POINTS AND ROAD GULLIES 24 HOURS AFTER PLACEMENT



STANDARD DETAILS

NO.	ISSUE & REVISION	DATE
1	INFORMATION	21.12.16

ISSUED FOR INFORMATION

PROJECT CODE	001
SCALE	100% AT A1
DATE	21.12.16
DRAWN	PS
CHECKED	AR
APPROVED	AR
DRAWING TITLE	

KERBING

DRAWING NUMBER

SD.02