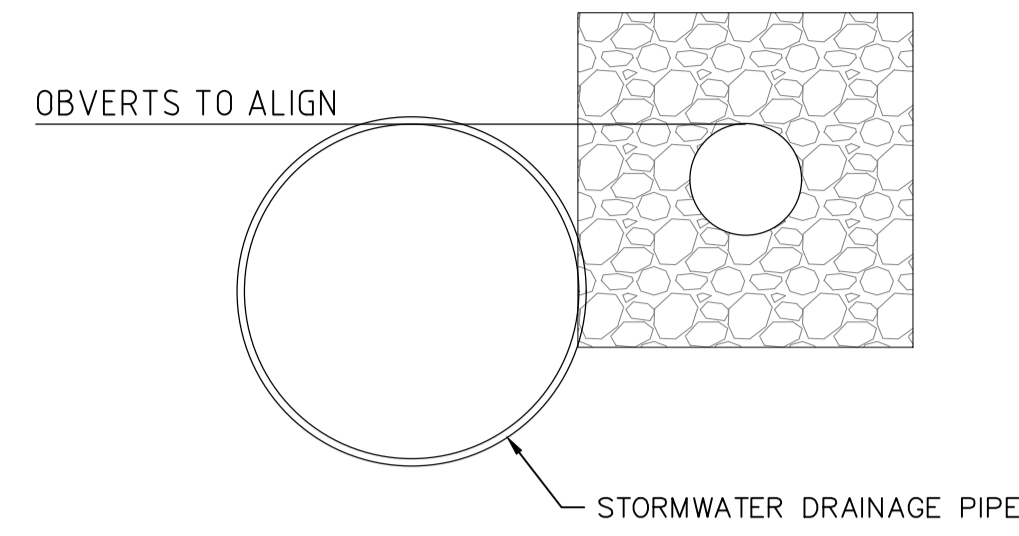
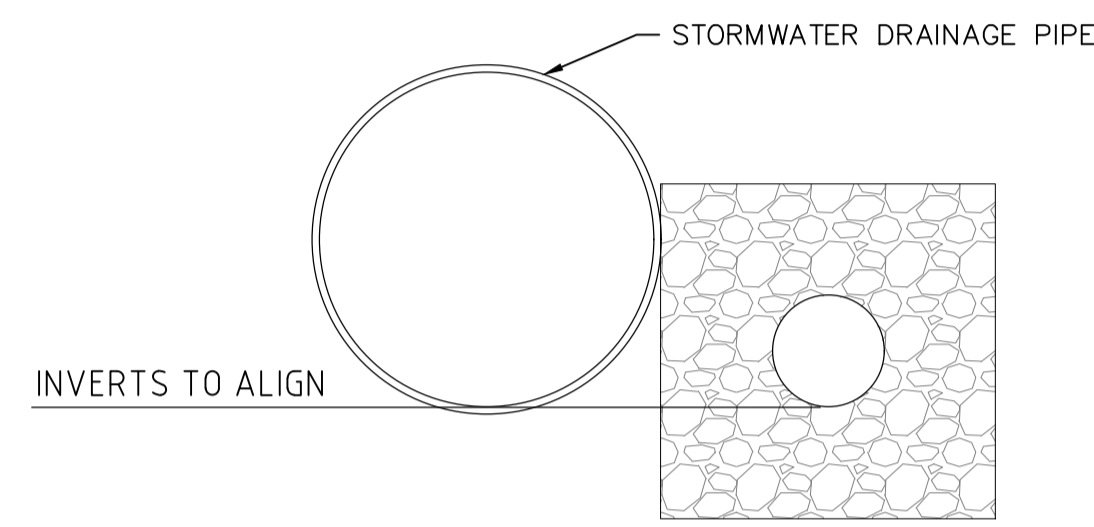


TRENCH TO BE ACCORDANCE WITH THE SPECIFICATION

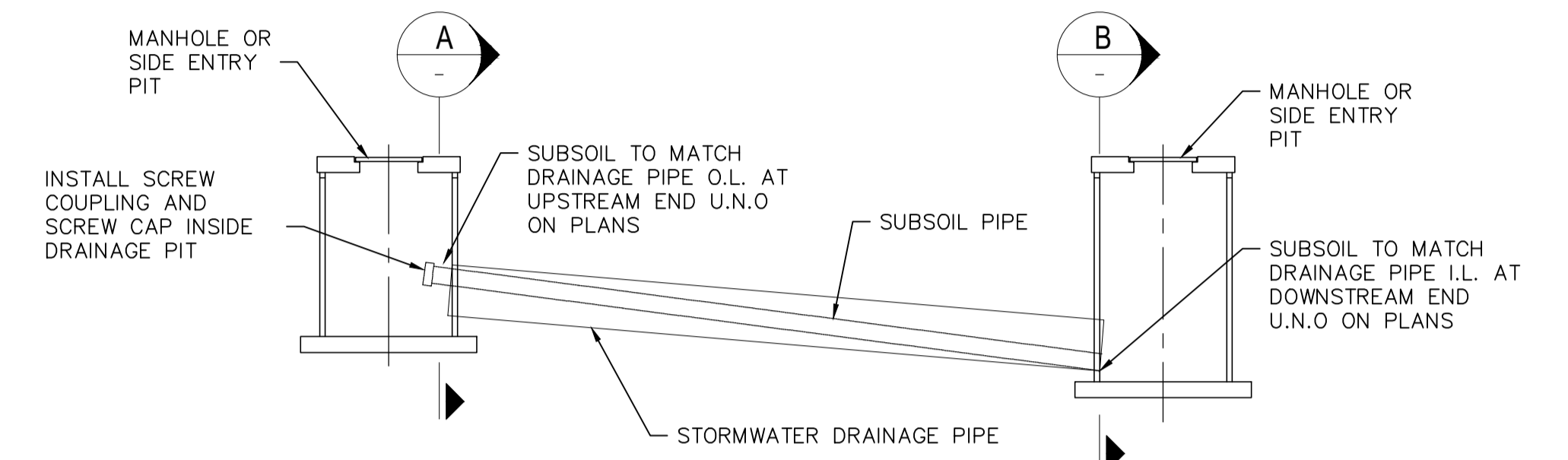
SUBSOIL PIPE TRENCH DETAIL
N.T.S



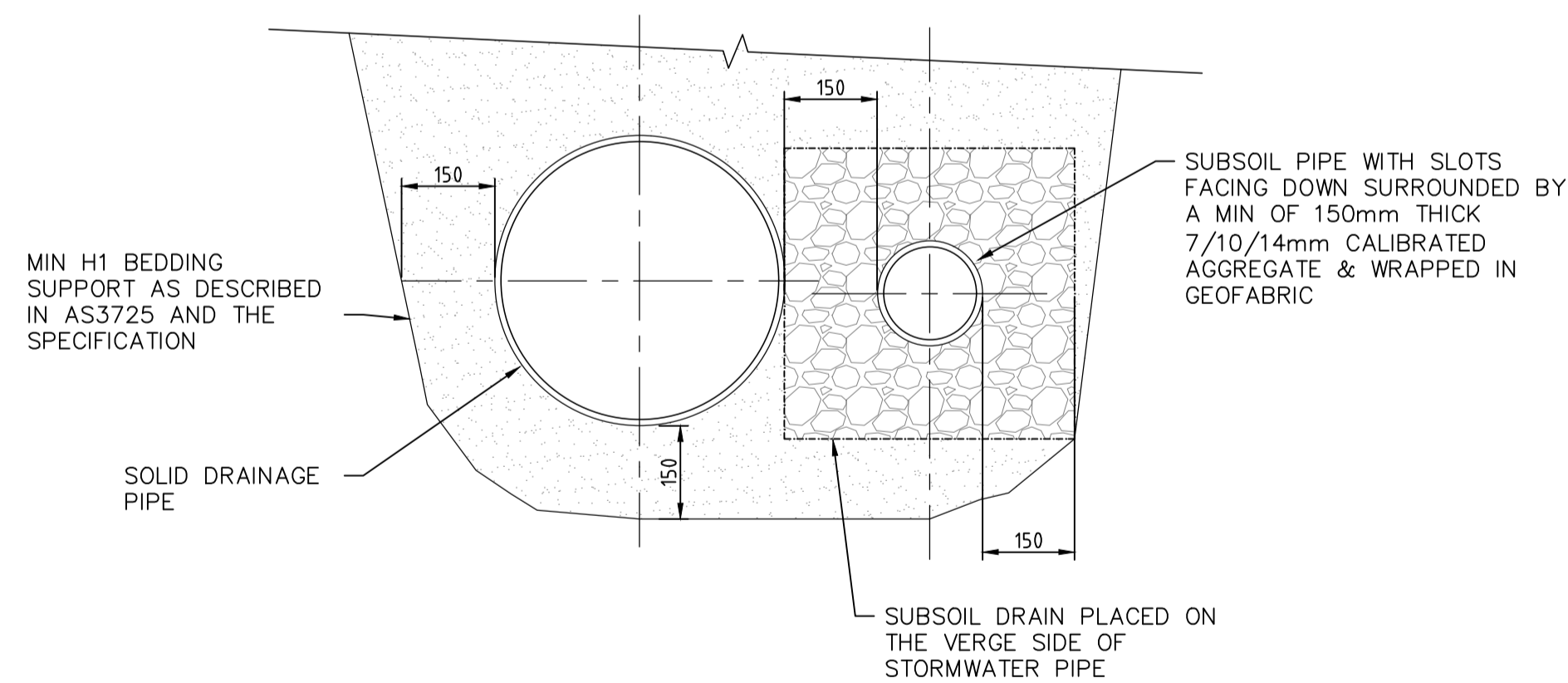
SECTION - A
N.T.S



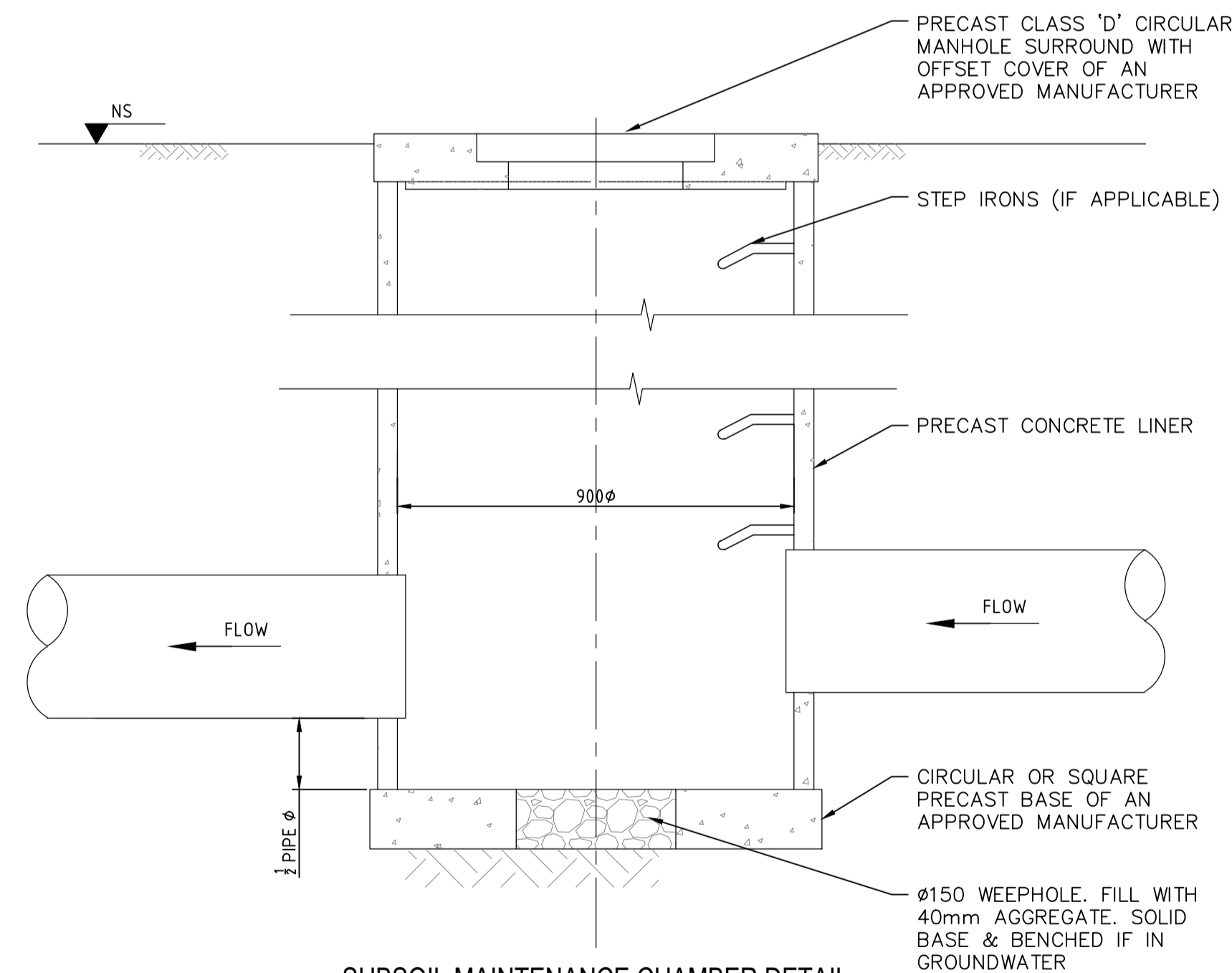
SECTION - B
N.T.S



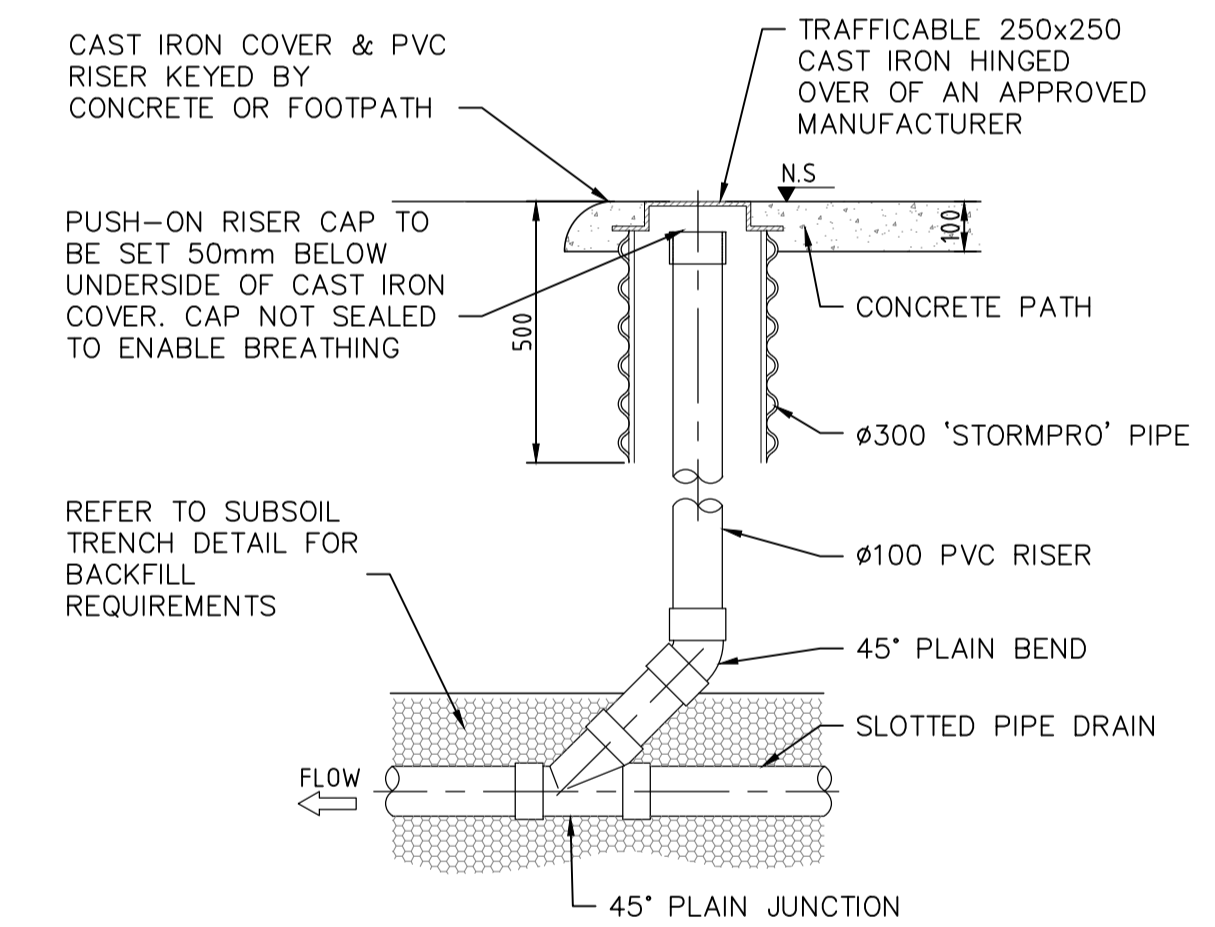
TYPICAL ARRANGEMENT FOR COMMON TRENCH SUBSOIL PIPE
N.T.S



TRENCH DETAIL (SOLID & SUBSOIL)
N.T.S



SUBSOIL MAINTENANCE CHAMBER DETAIL
N.T.S



SUBSOIL MAINTENANCE RISER DETAIL (SR)
N.T.S

SUBSOIL DRAINAGE NOTES :

1. MAINTENANCE RISER TO BE LOCATED AT 60m MAXIMUM SPACING AT EVERY CHANGE OF DIRECTION AND UPSTREAM EXTREMITIES.
2. MAINTENANCE CHAMBERS ARE TO BE USED EVERY 180m AND AT THE JUNCTION OF TWO OR MORE INLET PIPES AND THE CHANGE OF PIPE SIZES.
3. NON-SLOTTED SOLID PIPE TO BE USED DIRECTLY UNDER ROAD PAVEMENTS.
4. SUBSOIL IN COMMON TRENCH WITH DRAINAGE TO CONNECT INTO D/S AND U/S/ DRAINAGE PITS.
5. GEOTEXTILE TO BE NON-WOVEN FABRIC

Engineering Standard Details DWG: STD-D10 - SUBSOIL DRAINAGE.dwg

Amendments		Scale	Date	By	Approved
		AS SHOWN			
		N/A			
A	30/11/23	ISSUED FOR REVIEW		BV	NS
No	Date	Revision		By	Approved



THIS DRAWING REMAINS THE PROPERTY OF THE SHIRE OF SERPENTINE JARRAHDALE AND SHALL NOT BE RETAINED, COPIED, OR USED, WITHOUT WRITTEN APPROVAL FROM THE DIRECTOR ENGINEERING SERVICES

Drawn	Date	Signet	Project
BC	30/11/23		
Designed	Date	Signet	
BV	30/11/23		
Checked	Date	Signet	
VB	30/11/23		
Manager Engineering Services			

SHIRE OF SERPENTINE JARRAHDALE
STANDARD DRAWINGS
DRAINAGE - SUBSOIL DRAINAGE

Sheet No.	1 OF 1
Revision No.	A
DWG No.	STD-D10