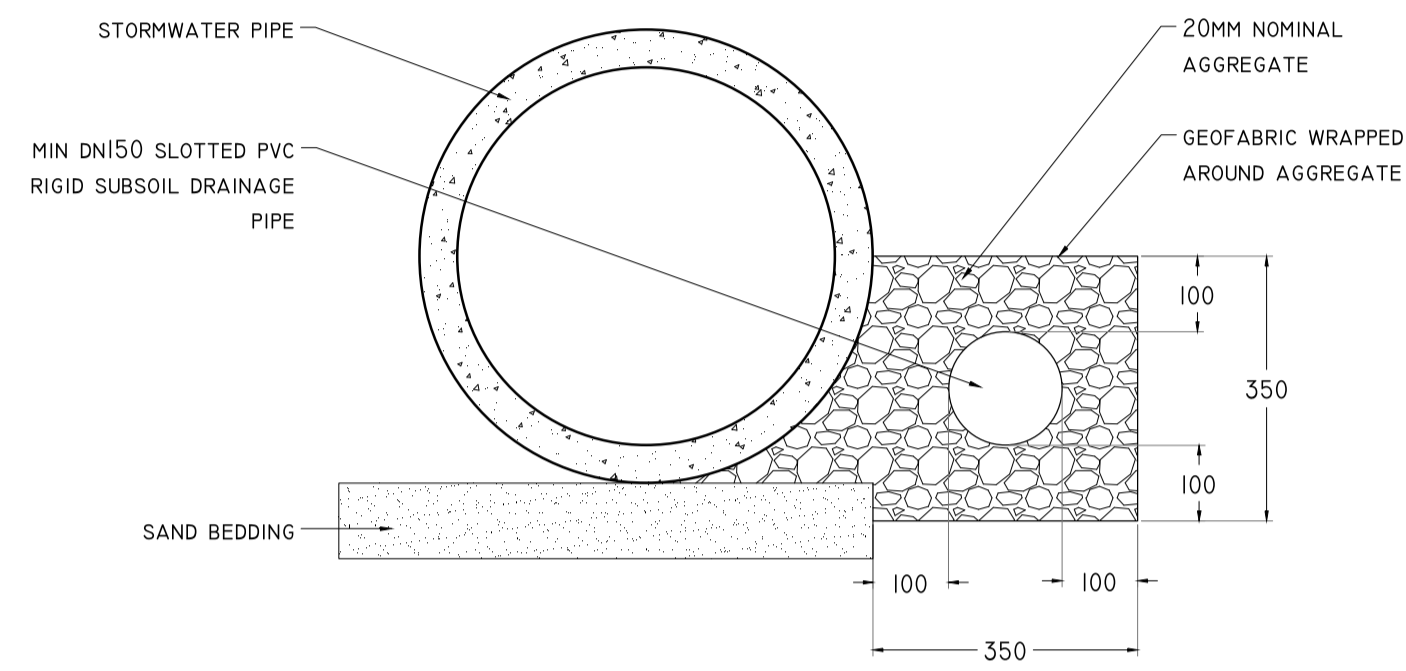
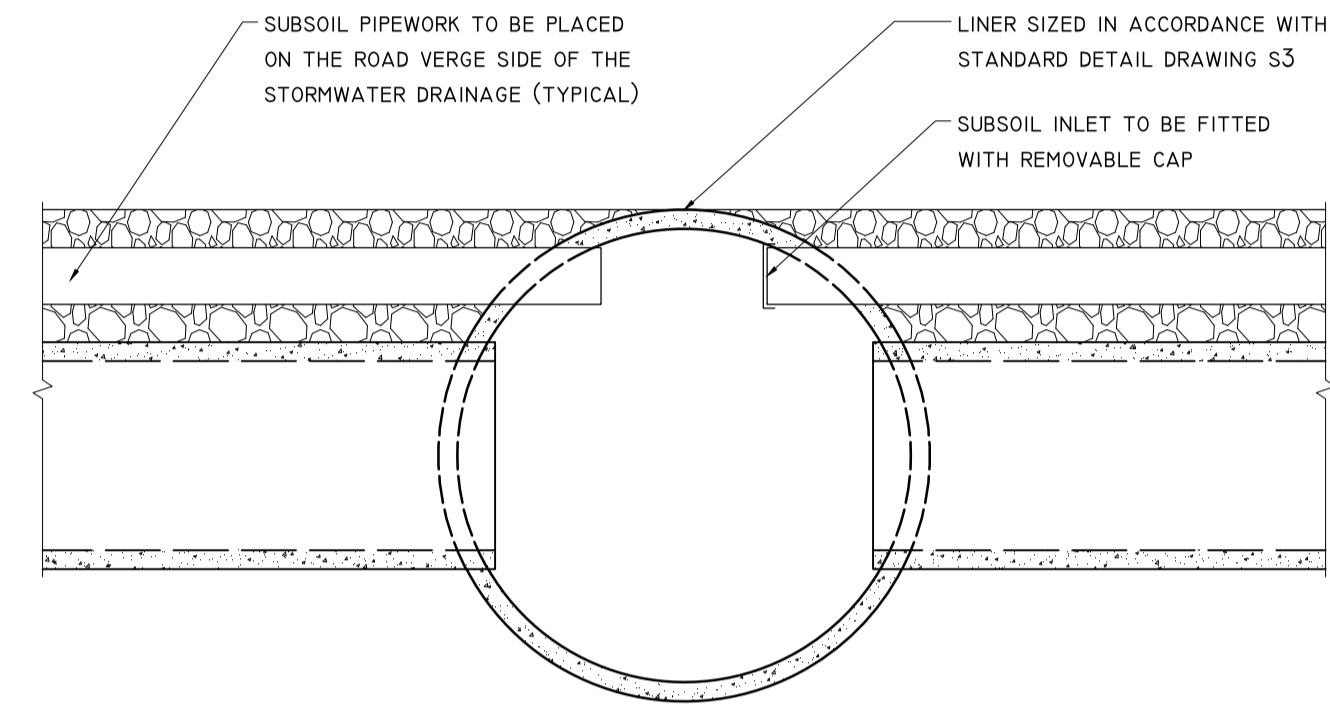


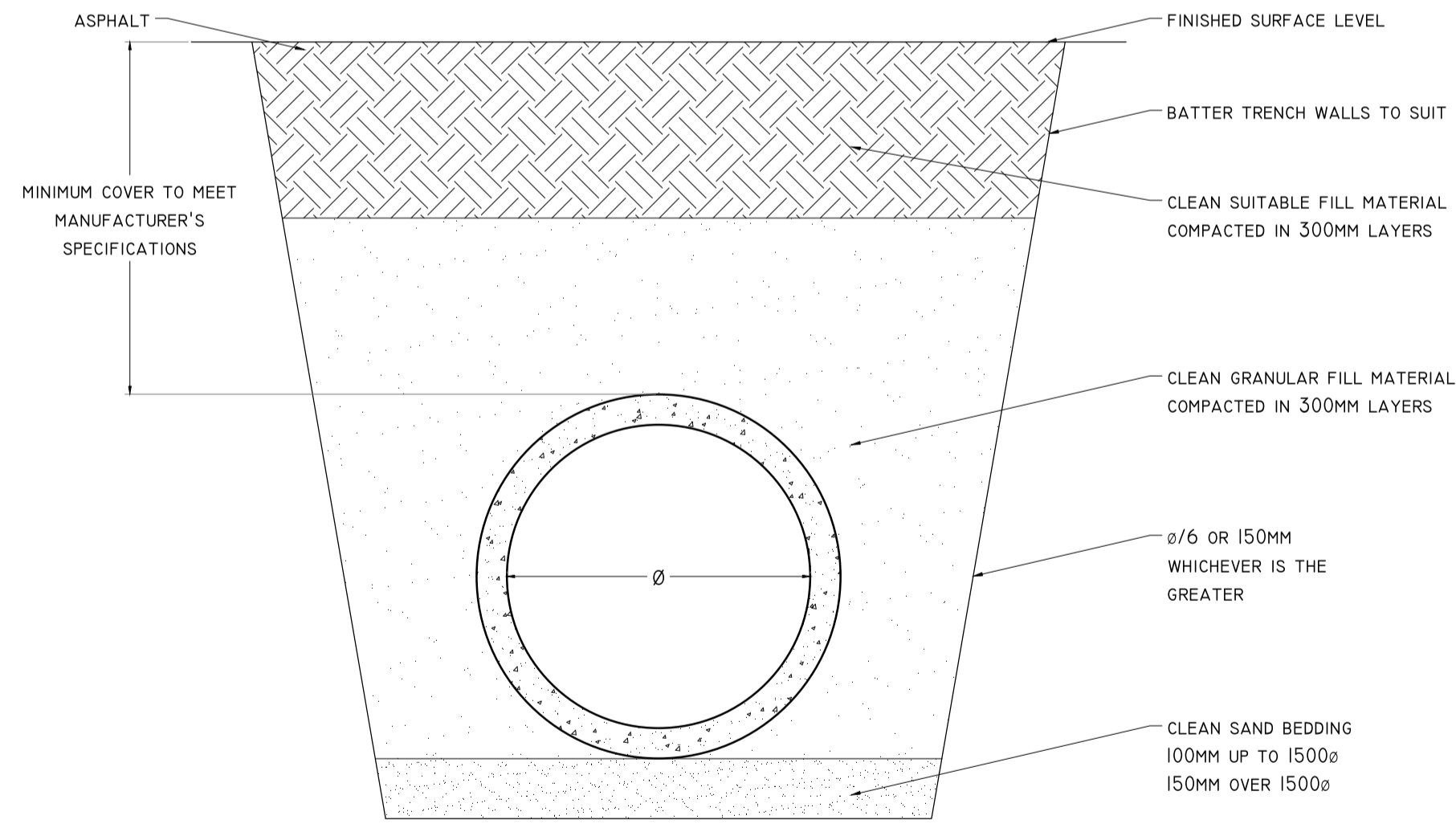
SUBSOIL DRAINAGE DETAIL
SCALE 1:10



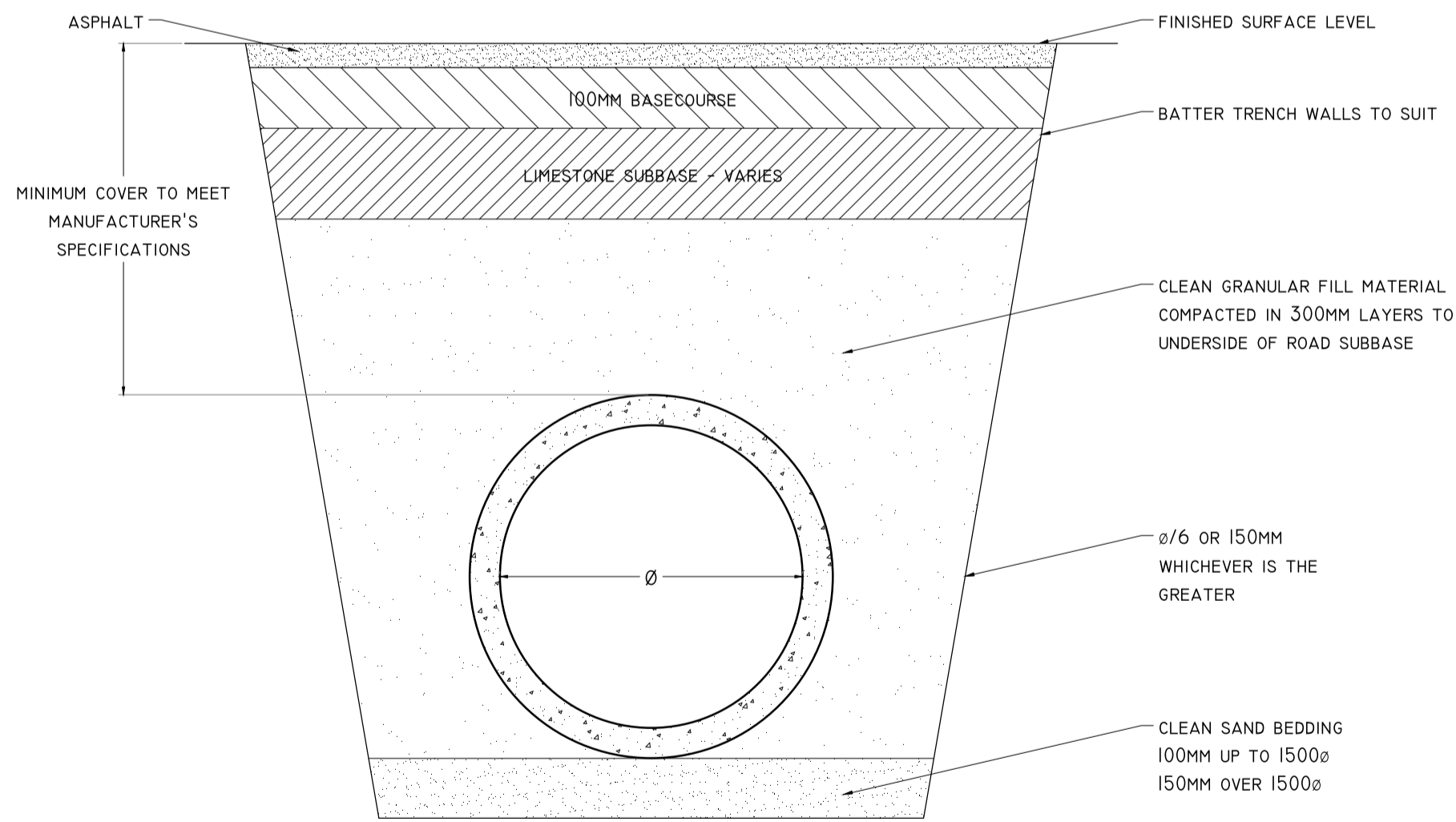
SUBSOIL DRAINAGE TYPICAL SECTION
SCALE 1:10



SUBSOIL DRAINAGE PIPE PLAN
SCALE 1:20



VERGE BEDDING TYPICAL SECTION
SCALE 1:10



ROAD BEDDING TYPICAL SECTION
SCALE 1:10



STANDARD DETAILS

NO.	ISSUE & REVISION	DATE
1	INFORMATION	12.12.16

ISSUED FOR
INFORMATION

PROJECT CODE	001
SCALE	100% AT A1
DATE	12.12.16
DRAWN	PS
CHECKED	AR
APPROVED	AR
DRAWING TITLE	

PIPE BEDDING &
SUBSOIL DRAINAGE

DRAWING NUMBER

SD.05