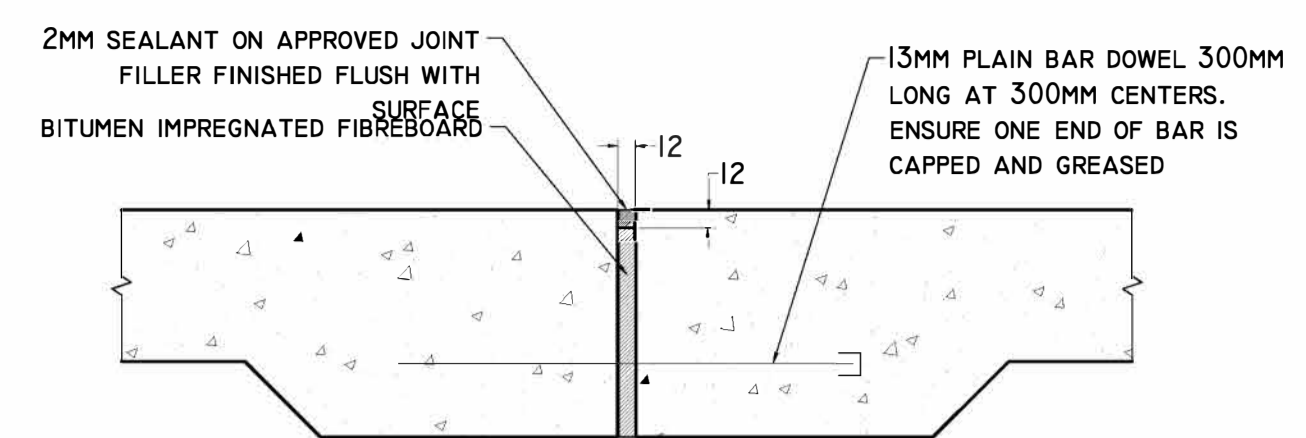
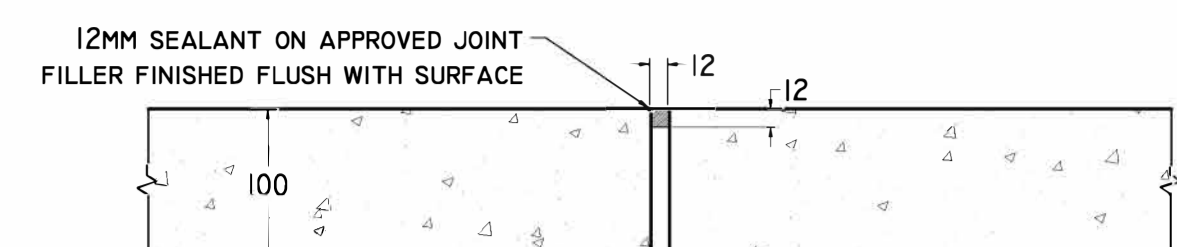


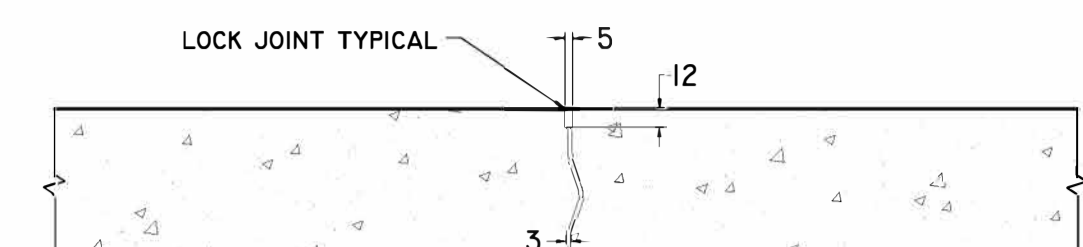
FOOTPATH PLAN
SCALE 1:50



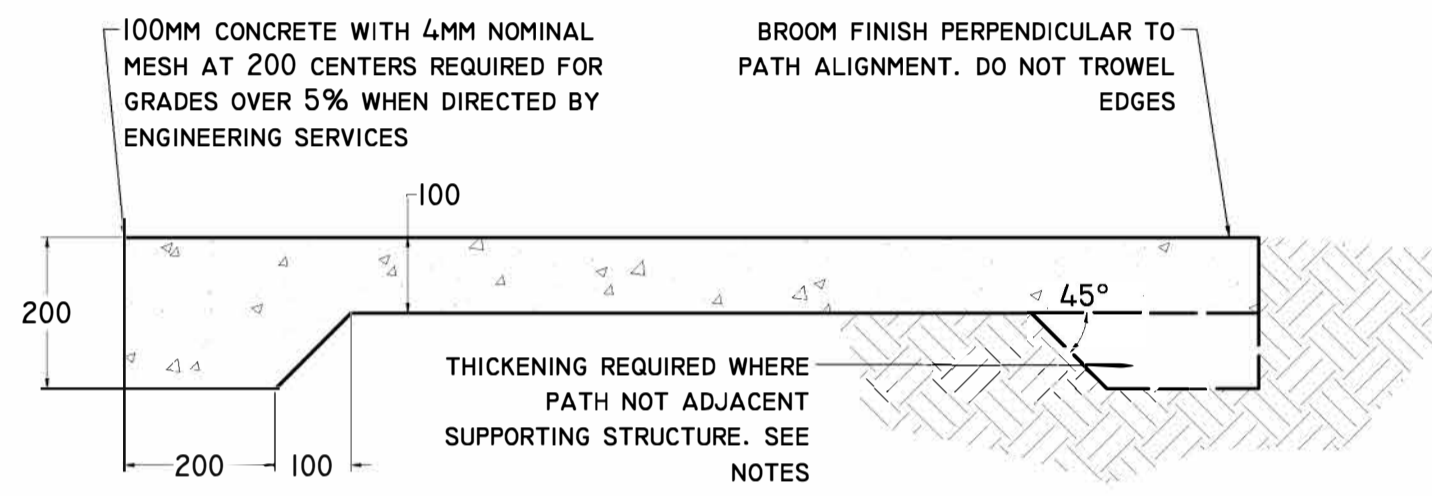
EXPANSION JOINT DETAIL
SCALE 1:5



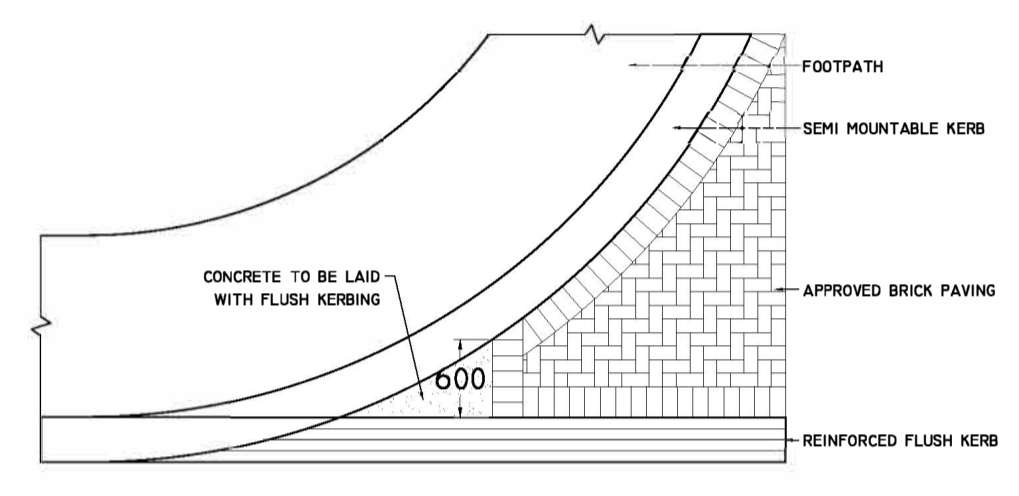
CONSTRUCTION JOINT DETAIL
SCALE 1:5



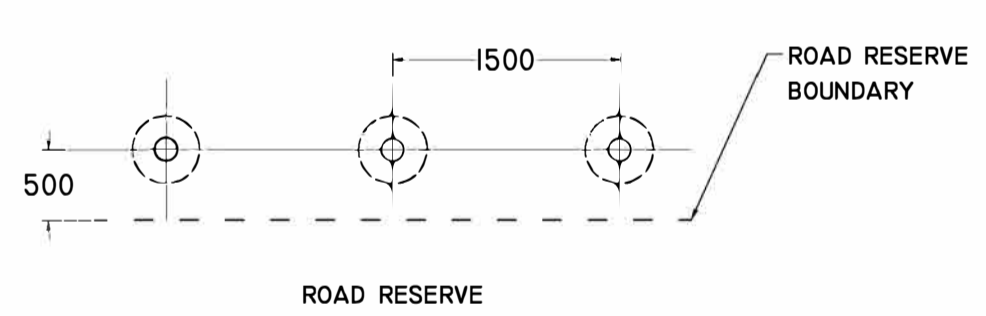
ALTERNATIVE EXPANSION JOINT DETAIL
SCALE 1:5



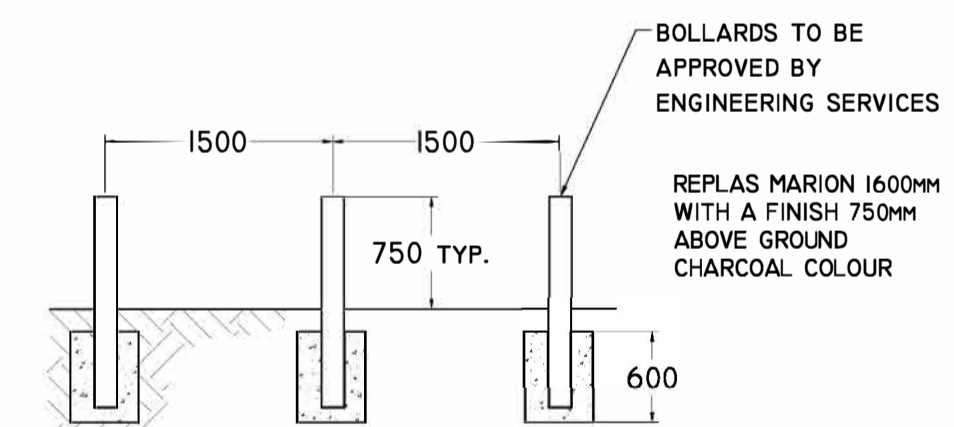
STANDARD FOOTPATH DETAIL
SCALE 1:10



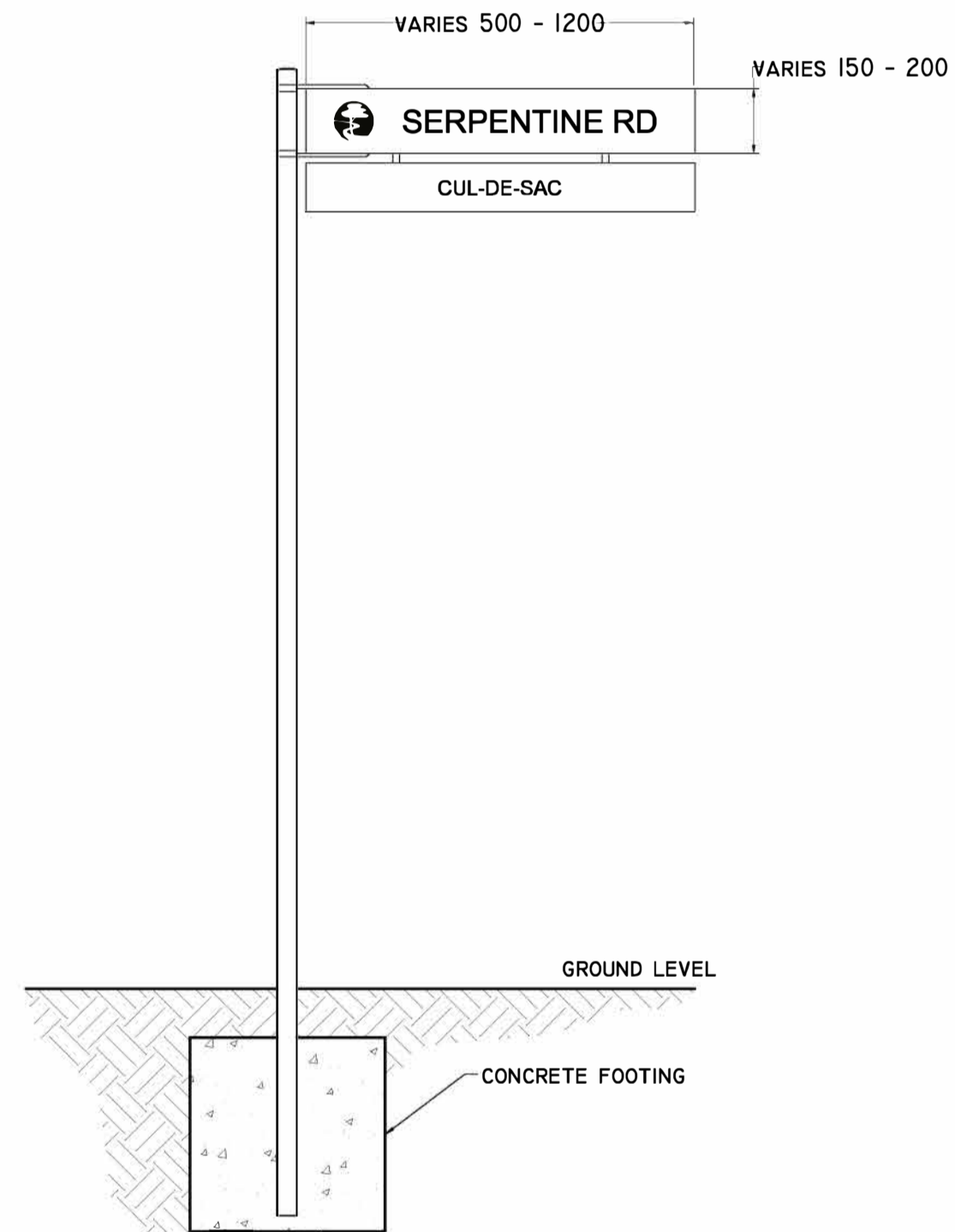
STANDARD SEMI MOUNTABLE KERB FOR BRICK PAVING WITH FOOTPATH
SCALE 1:50



BOLLARD PLAN
SCALE 1:50



BOLLARD ELEVATION
SCALE 1:50



STREET SIGN DETAIL
SCALE 1:20

FOOTPATH

1. ALL JOINTS TO MATCH ADJACENT KERB JOINTS WHERE POSSIBLE
2. CONCRETE TO BE 32MPA
3. FOOTPATH THICKNESS TO INCREASE AS SHOWN WHERE PATH IS NOT ADJACENT TO BACK OF KERB, DOES NOT TIE INTO AN INTERSECTING PATH OR PRAM RAMP, AND/OR WHERE NOT SUPPORTED BY RETAINING WALL
4. 2 METRE MINIMUM CLEARANCE FROM FINISHED PATH LEVEL TO OBJECT

PRAM RAMP

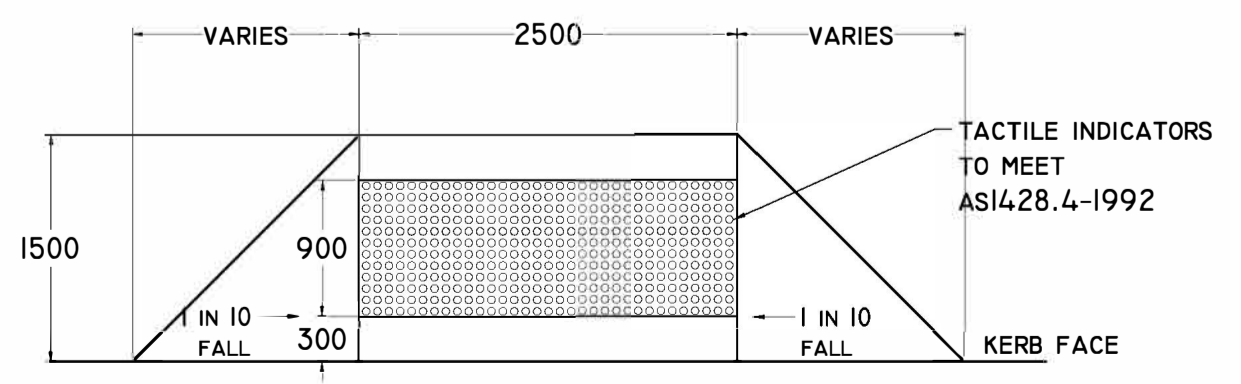
5. CONCRETE TO BE 32MPA
6. EDGE OF PRAM RAMP TO BE FLUSH WITH ROAD'S FINISHED PAVEMENT LEVEL
7. WHERE ASPHALT IS NOT TO BE APPLIED IN CURRENT STAGE, RAMP PAVEMENT DOWN TO ENSURE MINIMUM CONCRETE THICKNESS
8. ALL CONCRETE SHALL BE BROOM FINISHED ACROSS THE DIRECTION OF PEDESTRIAN TRAFFIC TO PROVIDE A NON-SLIP SURFACE.
9. FULL FOOTPATH WIDTH TO BE PROVIDED BEHIND AND AROUND RAMP WHERE RAMP JOINS PATH
10. A MINIMUM OF 500MM OF KERB SHALL BE PROVIDED BETWEEN ADJACENT RAMPS. WHERE THE MINIMUM CANNOT BE ACHIEVED, A SINGLE WIDE RAMP SHALL BE PROVIDED
11. PATHS PARALLEL TO KERB SHALL BE REALIGNED OR WIDENED TO PROVIDE A LEVEL SECTION 1500MM MINIMUM
12. THE PROVISION OF DIRECTIONAL AND TACTILE PAVING SHALL BE IN ACCORDANCE WITH ASI428:2-1992
13. PRAM RAMPS TO BE SKEWED TO MATCH THE DIRECTION OF ROAD CROSSING

BOLLARDS

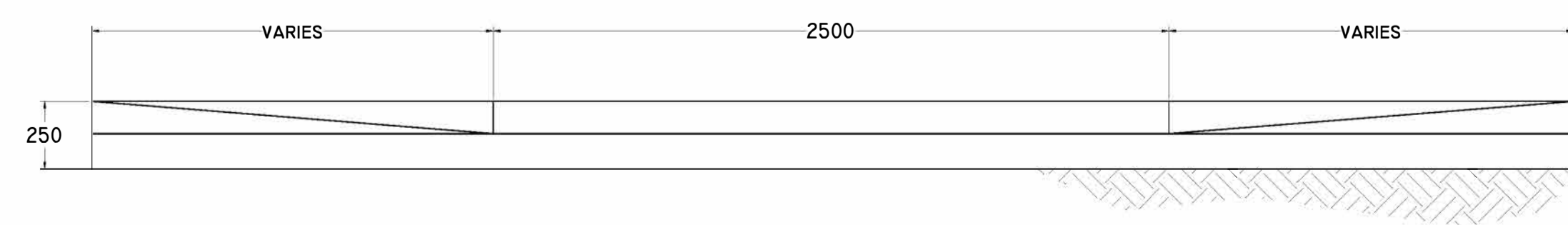
14. CONCRETE TO HAVE MINIMUM COMPRESSIVE STRENGTH OF 20MPA

STREET SIGNS

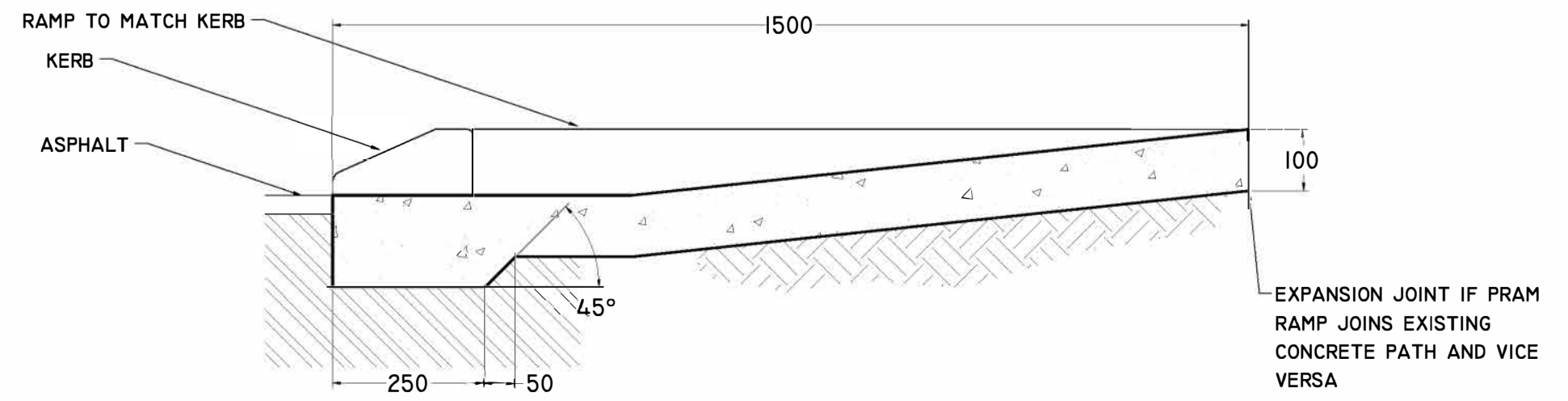
15. CUL-DE-SAC / NO THROUGH ROAD SIGN CLIP BOLTED TO NAME PLATE AS SHOWN
16. PRIMARY, DISTRICT A & B DISTRIBUTOR ROADS TO HAVE 150MM BLACK REFLECTIVE LETTERING ON 200MM DEEP PLATE. ALL OTHER ROADS TO HAVE 100MM BLACK REFLECTIVE LETTERING ON 150MM DEEP PLATE. BACKGROUND COLOUR FOR ALL PLATES TO BE WHITE (CLASS 2)
17. STANDARD ALUMINUM BRACKETS SECURELY FASTENED TO TOP AND BOTTOM OF SIGN, 50MM FROM TOP OF POST
18. POST TO BE 60MM GALVANISED IRON CIRCULAR HOLLOW SECTION
19. SHIRE LOGO TO BE AFFIXED AT MOUNTING END OF SIGN FOR EACH SIDE
20. STREET NAME SIGNS SHALL HAVE 3000MM CLEARANCE TO GROUND SURFACE
21. THE POLE IS TO BE ERECTED WITH A 600 X 600MM CONCRETE FOOTING WHICH IS TO BE 750MM DEEP
22. THE POST SHALL BE INSTALLED ON THE 2700 ALIGNMENT UNLESS OTHERWISE SPECIFIED. WHERE VERGE WIDTHS AND/OR FOOTPATH CONSTRAINT REQUIRE THE ALIGNMENT TO BE ALTERED, THE PROPOSED ALIGNMENT SHALL BE CLEARLY STATED ON THE SUBMITTED DRAWINGS



PRAM RAMP DETAIL
SCALE 1:50



PRAM RAMP ELEVATION
SCALE 1:20



PRAM RAMP SECTION
SCALE 1:10



NO.	ISSUE & REVISION DATE
1	INFORMATION 21.12.16
2	BOLLARDS 30.07.19

ISSUED FOR INFORMATION

PROJECT CODE	001
SCALE	100% AT A1
DATE	30.07.19
DRAWN	AS
CHECKED	AR
APPROVED	AR
DRAWING TITLE	PATHS, RAMPS, BOLLARDS & SIGNS
DRAWING NUMBER	SD.01_2